

HYDROLIFT™

BORN TO LIFT

CRANE MODEL
1675



SAFETY

Hx

SAFETY

HPS

Inside

SAFETY

HPro

REMOTE

SAFETY

HPro⁺

EMS

www.hydrolift.in



CRANE 1675

STRUCTURE AND FRAME

- High tensile grade steel
- High-quality steel pins and bushes

WEATHER PROTECTION

- Zinc enriched primer for superior rust prevention
- Superior polyurethane paint
- Standard color RAL 3002
- Option - Other colors on customer request

DESIGN FEATURES

- European technology and design, produced in India under Make in India program
- High-quality branded components used in cranes

SAFETY AND CONTROLS

- Cranes with **Hx** are standard cranes with no additional features
- Cranes with **HPS** have additional electro-hydraulic safety features fitted with safe overload protection
- Cranes with **HPro** are installed with radio remote controls for safe remote operations
- Cranes with **HPro+** are installed with electro-hydraulic safety, radio remote control and Intelligent Monitoring System along with Crane diagnostics

HYDRAULIC POWER

- High pressure hydraulic pump
- Working pressure 300 bar

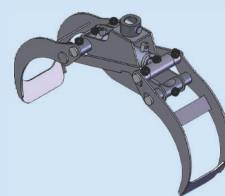
ATTACHMENTS



AUGER



POLYGRAB



LOG GRAB



WINCH



MAN BASKET



BRICK BLOCK CLAMP

OPTIONS



RADIO REMOTE



OIL COOLER



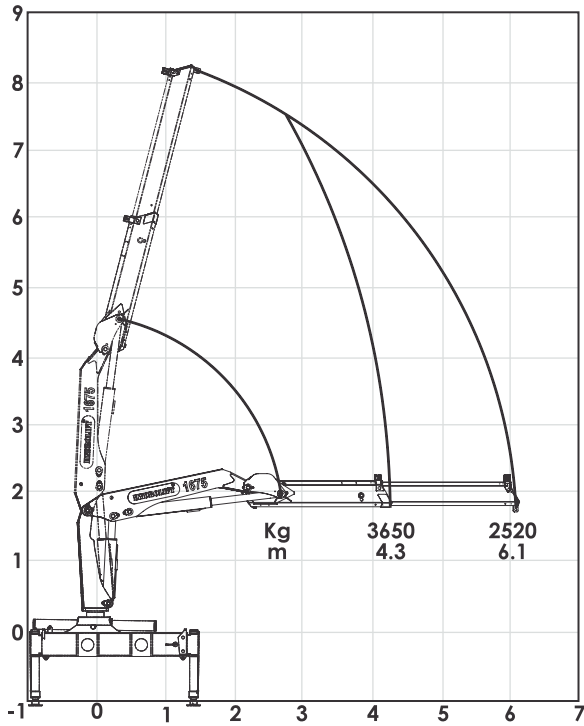
EXTRA STABILIZER



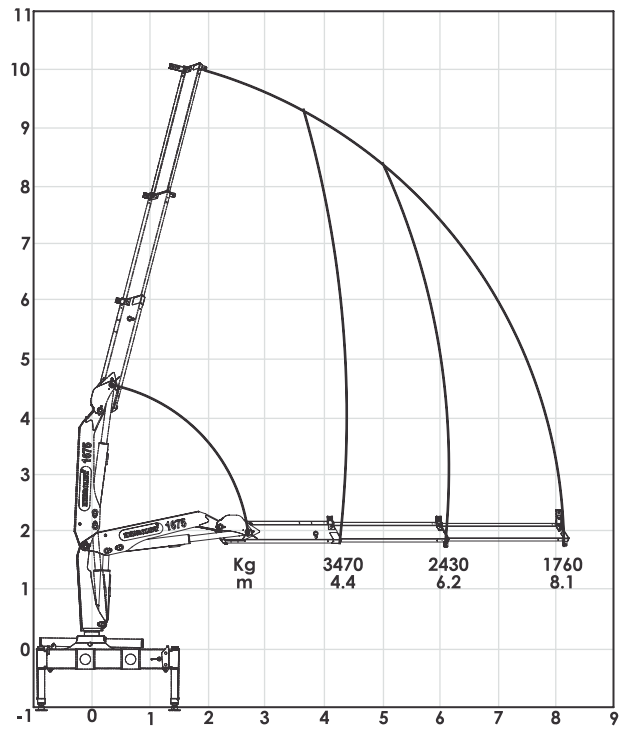
TOP SEAT

LOAD CHART

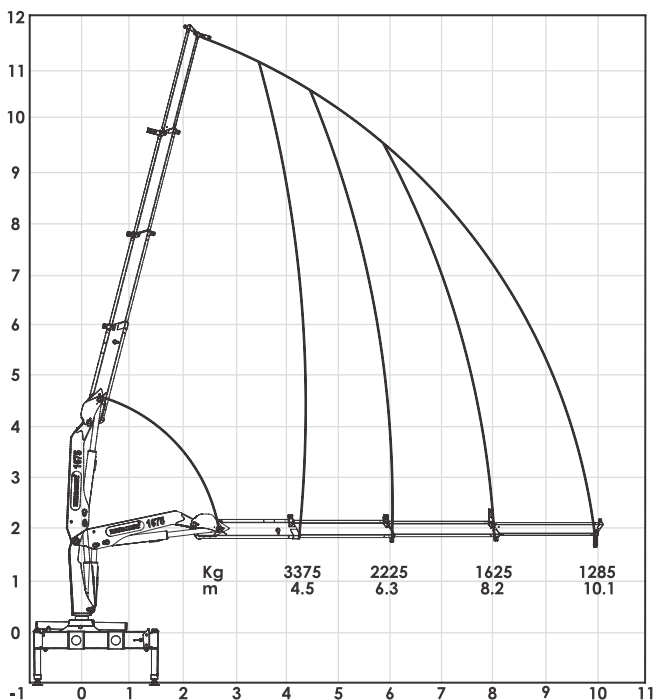
1675 K1



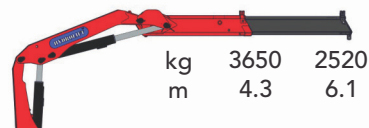
1675 K2



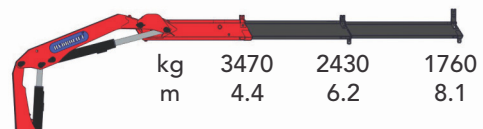
1675 K3



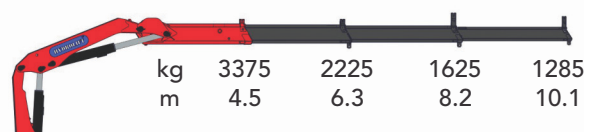
1675 - K1



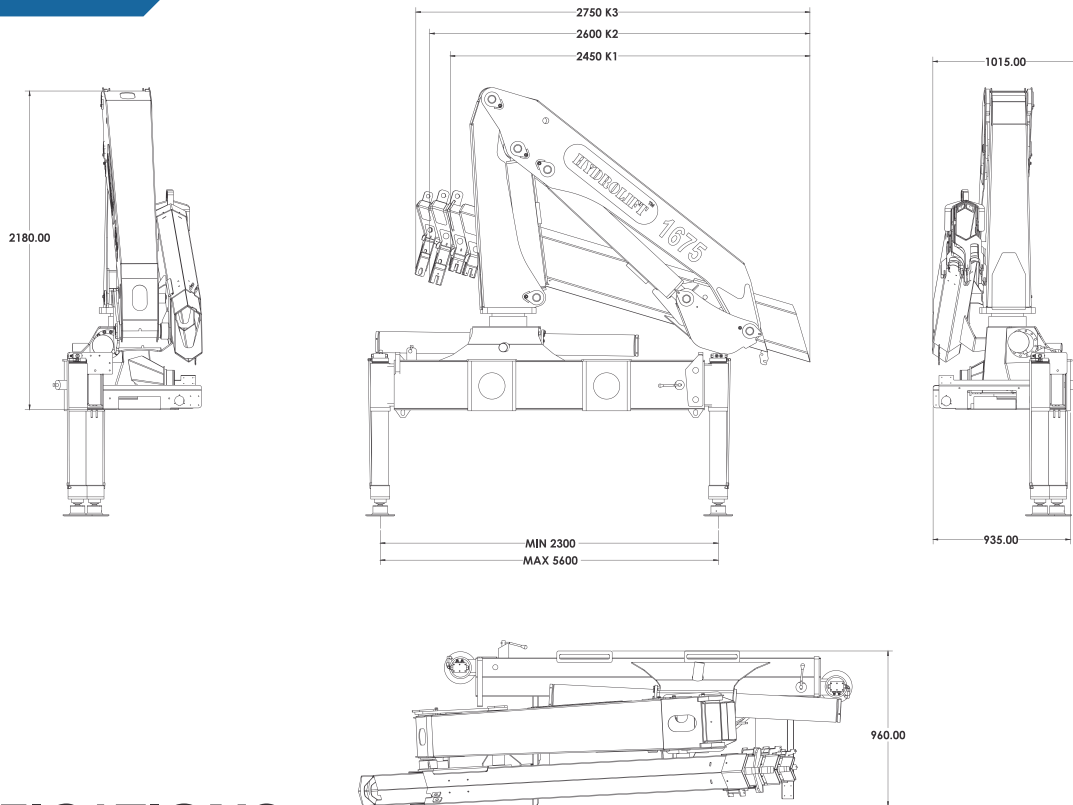
1675 - K2



1675 - K3



CRANE 1675



SPECIFICATIONS

EN 12999	UNITS	K1	K2	K3
Load Movement	tm	15.7	15.6	15.5
Hydraulic Reach	m	6.1	8.1	10.1
Load Lifting Capacity	Kg-m	3650 @ 4.3 2520 @ 6.1	3470 @ 4.4 2430 @ 6.2 1760 @ 8.1	3375 @ 4.5 2225 @ 6.3 1625 @ 8.2 1285 @ 10.1
Slewing Angle	Degree (°)	400	400	400
Slewing Torque	Kg-m	1866	1866	1866
Height above Chassis when folded	mm	2225	2225	2225
Width when folded	mm	995	995	995
Length when folded	mm	2540	2540	2540
Stabilizer spread, Standard	mm	4600	4600	4600
Stabilizer spread, Extra long	mm	5600	5600	5600
Standard weight	Kg	1980	2140	2280
Working pressure	bar	300	300	300
Oil Flow	l/min	47	47	47
Oil Tank	Ltr	120	120	120

© Hydrolift Cranes Pvt. Ltd. Specifications and dimensions are subject to change without notice. Please verify before finalization.

HYDROLIFT CRANES PRIVATE LIMITED

Bldg. No. 322/2, Moje Kalote Mokashi, Old Mumbai - Pune Highway, Taluka: Khalapur,
Dist.: Raigad, Maharashtra - 410 206, India | Email: info@hydrolift.in

Dealer