

# HYDROLIFT™

BORN TO LIFT

CRANE MODEL  
**275**



SAFETY

**Hx**

SAFETY

**HPS**

Inside

SAFETY

**HPPro**

REMOTE

SAFETY

**HPPro<sup>+</sup>**

EMS

[www.hydrolift.in](http://www.hydrolift.in)

# CRANE 275

## STRUCTURE AND FRAME

- High tensile grade steel
- High-quality steel pins and bushes

## WEATHER PROTECTION

- Zinc enriched primer for superior rust prevention
- Superior polyurethane paint
- Standard color RAL 3002
- Option - Other colors on customer request

## DESIGN FEATURES

- European technology and design, produced in India under Make in India program
- High-quality branded components used in cranes

## SAFETY AND CONTROLS

- Cranes with **Hx** are standard cranes with no additional features
- Cranes with **HPS** have additional electro-hydraulic safety features fitted with safe overload protection
- Cranes with **HPro** are installed with radio remote controls for safe remote operations
- Cranes with **HPro+** are installed with electro-hydraulic safety, radio remote control and Intelligent Monitoring System along with Crane diagnostics

## HYDRAULIC POWER

- High pressure hydraulic pump
- Working pressure 190 bar

## ATTACHMENTS



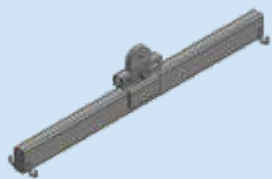
AUGER



WINCH



SAND BUCKET



BIKE LIFTING TOOL

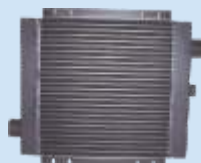


MAN BASKET

## OPTIONS



RADIO REMOTE



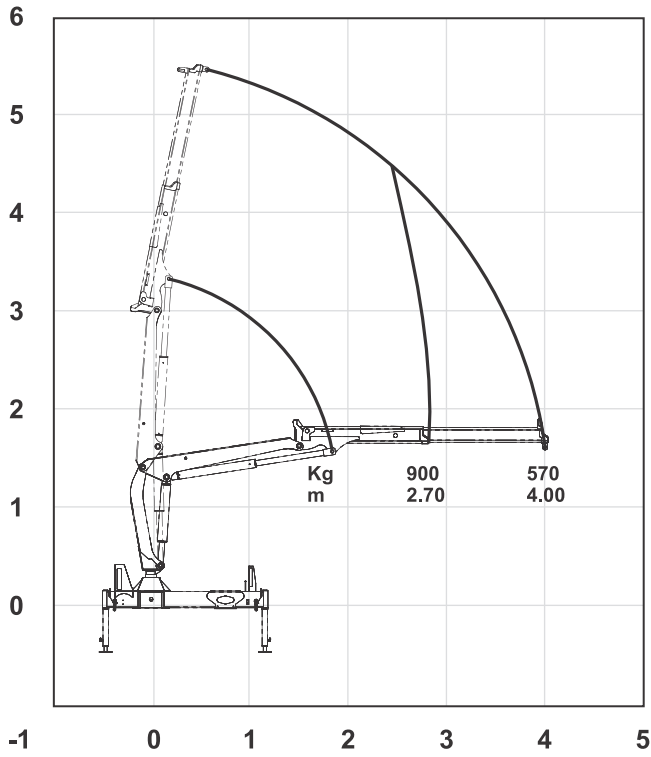
OIL COOLER



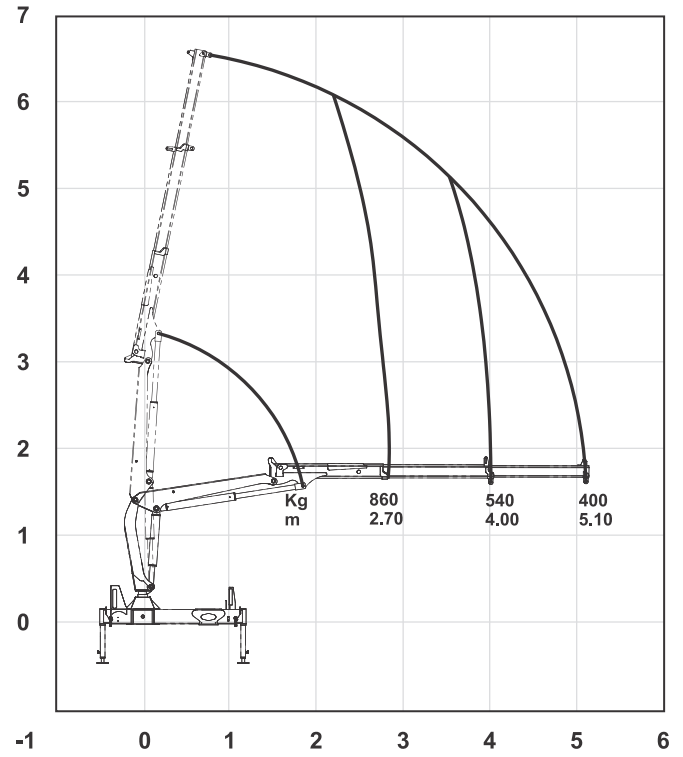
EXTRA STABILIZER

## LOAD CHART

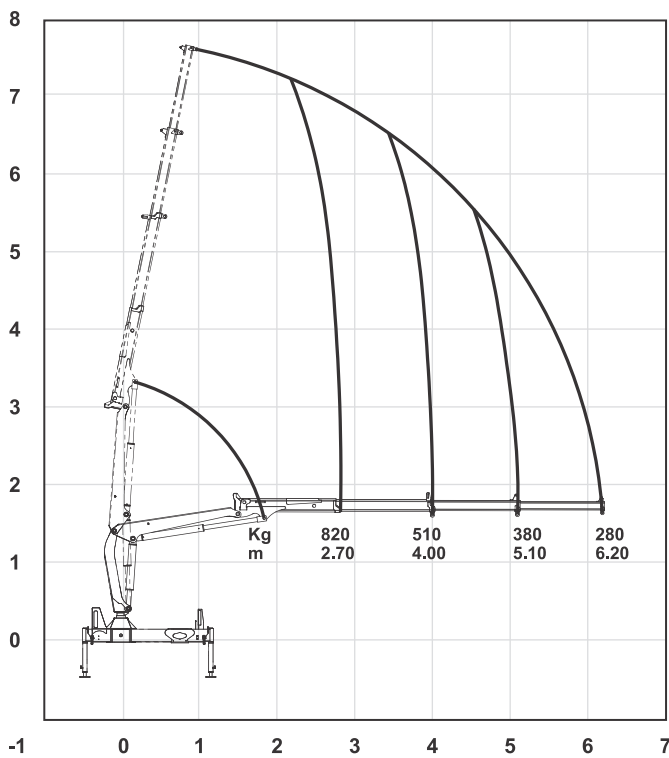
### 275 K1



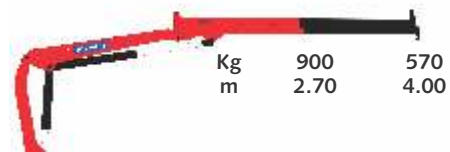
### 275 K2



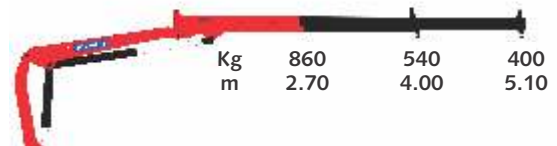
### 275 K3



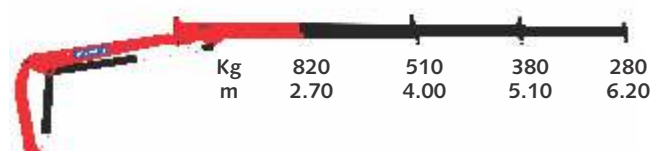
### 275 - K1



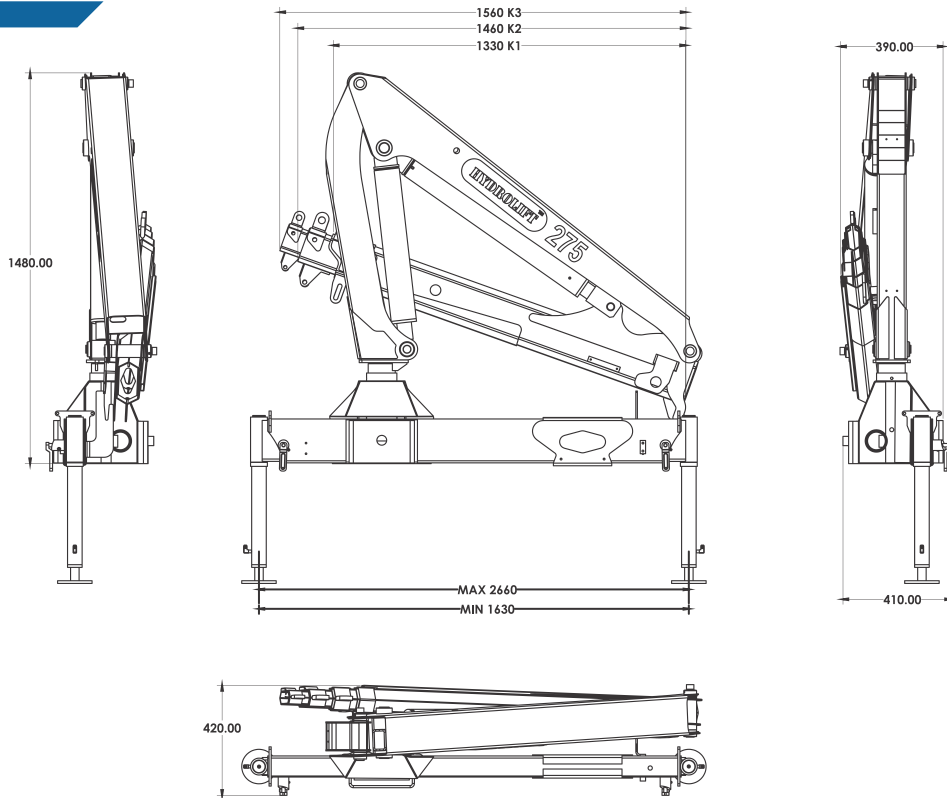
### 275 - K2



### 275 - K3



# CRANE 275



## SPECIFICATIONS

EN 12999	UNITS	K1	K2	K3
Load Moment	t-m	2.7	2.6	2.5
Hydraulic Reach	m	4.0	5.1	6.2
Lifting Capacity	kg-m	900 @ 2.7 570 @ 4.0	860 @ 2.7 540 @ 4.0 400 @ 5.1	820 @ 2.7 510 @ 4.0 380 @ 5.1 280 @ 6.2
Slewing Angle	Degree (°)	360	360	360
Slewing Torque	kg-m	255	255	255
Height above Chassis when folded	mm	1480	1480	1480
Width when folded	mm	410	410	410
Stabilizer spread, Standard	mm	2660	2660	2660
Stabilizer spread, Extra long	mm	3000	3600	3600
Standard weight	kg	320	410	500
Working pressure	bar	190	190	190
Pump preference	l/min	11	11	11
Oil Tank	Ltr	23	23	23

© Hydrolift Cranes Pvt. Ltd. Specifications and dimensions are subject to change without notice. Please verify before finalization.

### HYDROLIFT CRANES PRIVATE LIMITED

Bldg. No. 322/2, Moje Kalote Mokashi, Old Mumbai - Pune Highway, Taluka: Khalapur,  
Dist.: Raigad, Maharashtra - 410 206, India | Email: info@hydrolift.in

Dealer