

HYDROLIFT™

BORN TO LIFT

CRANE MODEL
501



SAFETY

Hx

SAFETY

HPS
Inside

SAFETY

HPPro
REMOTE

SAFETY

HPPro⁺
EMS

www.hydrolift.in



CRANE 501

STRUCTURE AND FRAME

- High tensile grade steel
- High-quality steel pins and bushes

WEATHER PROTECTION

- Zinc enriched primer for superior rust prevention
- Superior polyurethane paint
- Standard color RAL 3002
- Option - Other colors on customer request

DESIGN FEATURES

- European technology and design, produced in India under Make in India program
- High-quality branded components used in cranes

SAFETY AND CONTROLS

- Cranes with **Hx** are standard cranes with no additional features
- Cranes with **HPS** have additional electro-hydraulic safety features fitted with safe overload protection
- Cranes with **HPro** are installed with radio remote controls for safe remote operations
- Cranes with **HPro+** are installed with electro-hydraulic safety, radio remote control and Intelligent Monitoring System along with Crane diagnostics

HYDRAULIC POWER

- High pressure hydraulic pump
- Working pressure 240 bar

ATTACHMENTS



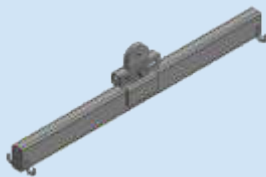
AUGER



WINCH



SAND BUCKET



BIKE LIFTING TOOL

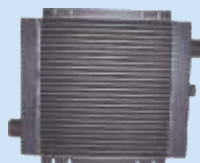


MAN BASKET

OPTIONS



RADIO REMOTE



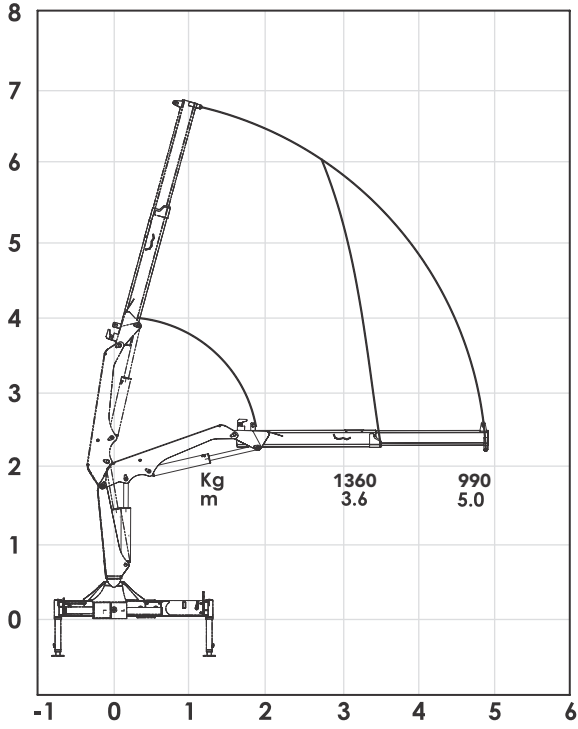
OIL COOLER



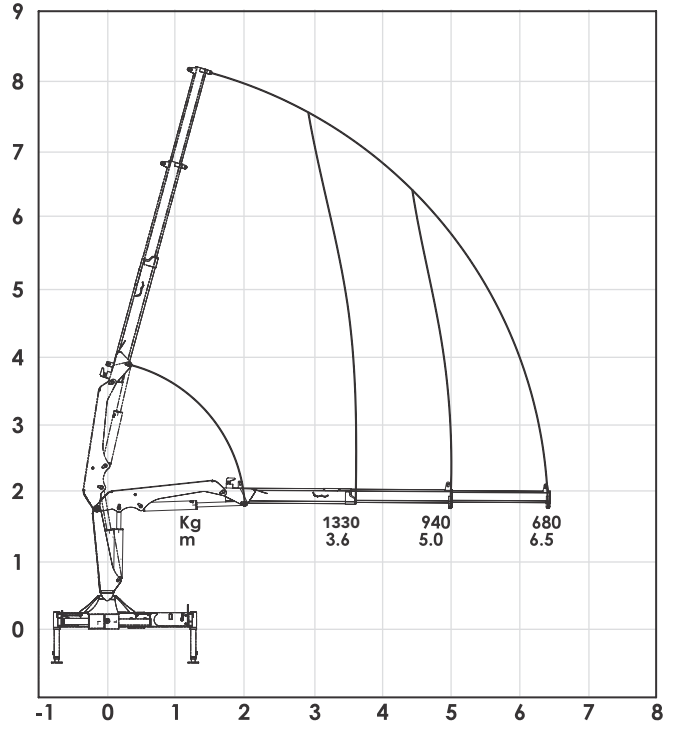
EXTRA STABILIZER

LOAD CHART

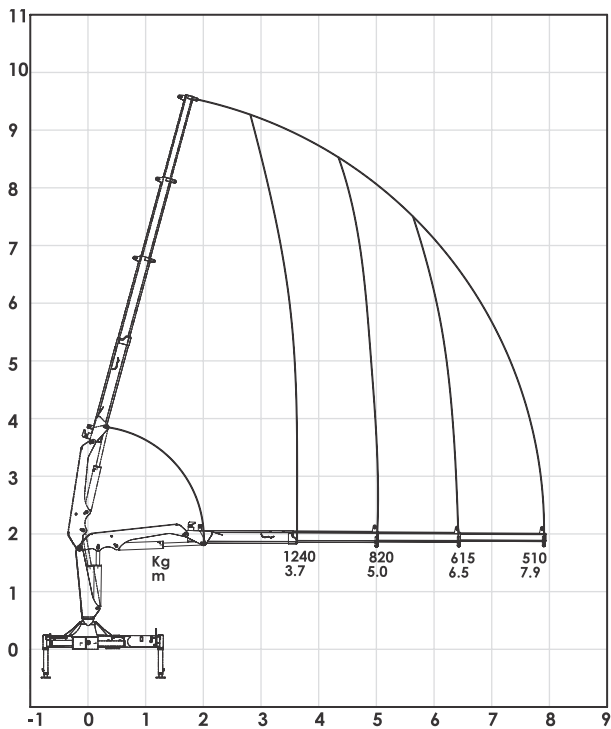
501 K1



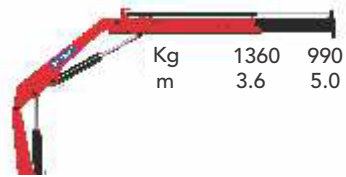
501 K2



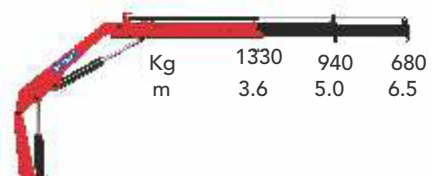
501 K3



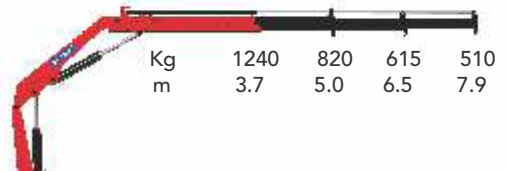
501 - K1



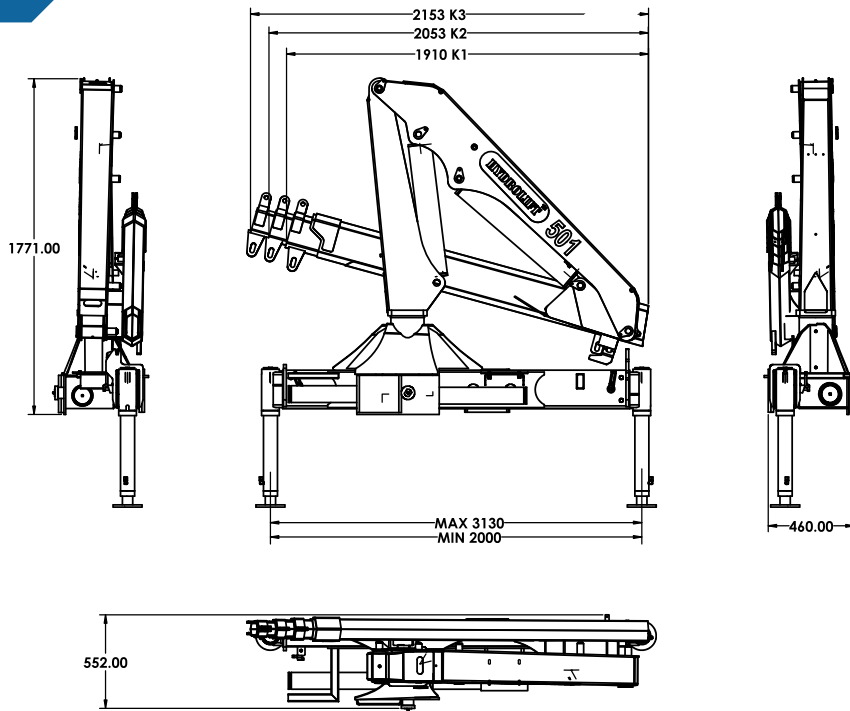
501 - K2



501 - K3



CRANE 501



SPECIFICATIONS

EN 12999	UNITS	K1	K2	K3
Load Moment	t-m	4.9	4.8	4.6
Hydraulic Reach	m	5.0	6.5	7.9
Lifting Capacity	kg-m	1360 @ 3.6 990 @ 5.0	1330 @ 3.6 940 @ 5.0 680 @ 6.5	1240 @ 3.7 820 @ 5.0 615 @ 6.5 510 @ 7.9
Slewing Angle	Degree (°)	400	400	400
Slewing Torque	kg-m	581	581	581
Height above Chassis when folded	mm	1771	1771	1771
Width when folded	mm	460	460	460
Length when folded	mm	2090	2090	2090
Stabilizer spread, Standard	mm	3130	3130	3130
Stabilizer spread, Extra long	mm	4000	4000	4000
Standard weight, excl. stabilizers	kg	600	640	680
Stabilizer weight	kg	104	104	104
Working pressure	bar	240	240	240
Pump preference	l/min	25	25	25
Oil Tank	Ltr	35	35	35

© Hydrolift Cranes Pvt. Ltd. Specifications and dimensions are subject to change without notice. Please verify before finalization.

HYDROLIFT CRANES PRIVATE LIMITED

Bldg. No. 322/2, Moje Kalote Mokashi, Old Mumbai - Pune Highway, Taluka: Khalapur,
Dist.: Raigad, Maharashtra - 410 206, India | Email: info@hydrolift.in

Dealer