





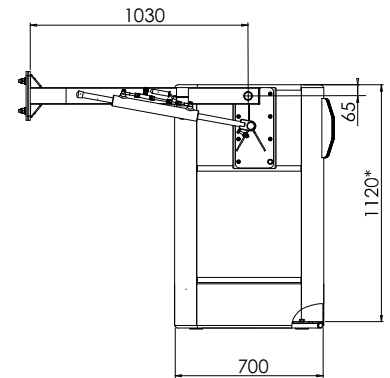
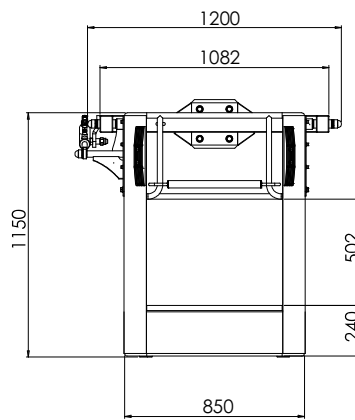
CESTELLI PORTA OPERATORE 
 PERSONNEL BASKETS 
 NACELLES PORTE-OPERATEUR 
 HUBARBEITSKÖRBE 

CESTAS OPERADOR 
 РАБОЧИЕ КОРЗИНЫ 
 SEPET VE PLATFORMLARI 
 سلات نقل كادر العمل 



FAB 1 S ACCIAIO STEEL	700x850x1150 mm	100 Kg	120 Kg	1 Kv	1
FAB 1 ALLUMINIO ALUMINUM	700x850x1150 mm	78 Kg	120 Kg	1 Kv	1

Necessario kit Fullmatic in conformità EN 280 - Kit Fullmatic needed for norm EN 280

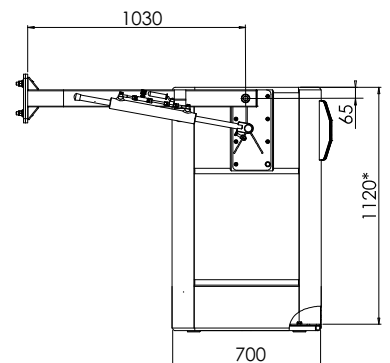
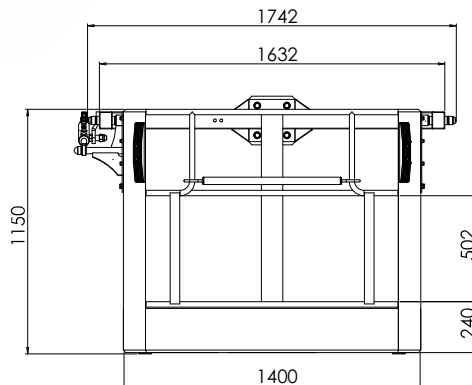


*Dal piano di calpestio
 *Inside the basket

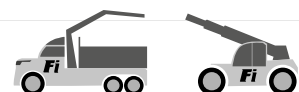






FAB 2 S ACCIAIO STEEL	700x1400x1150 mm	110 Kg	200 Kg	1 Kv	2
FAB 2 ALLUMINIO ALUMINUM	700x1400x1150 mm	88 Kg	200 Kg	1 Kv	2





Necessario kit Fullmatic in conformità EN 280 - Kit Fullmatic needed for norm EN 280



*Dal piano di calpestio
 *Inside the basket



 CESTELLI PORTA OPERATORE
 PERSONNEL BASKETS
 NACELLES PORTE-OPERATEUR
 HUBARBEITSKÖRBE

 CESTAS OPERADOR
 РАБОЧИЕ КОРЗИНЫ
 PERSONEL ÇALIŞMA SEPET
 سلات نقل كادر العمل

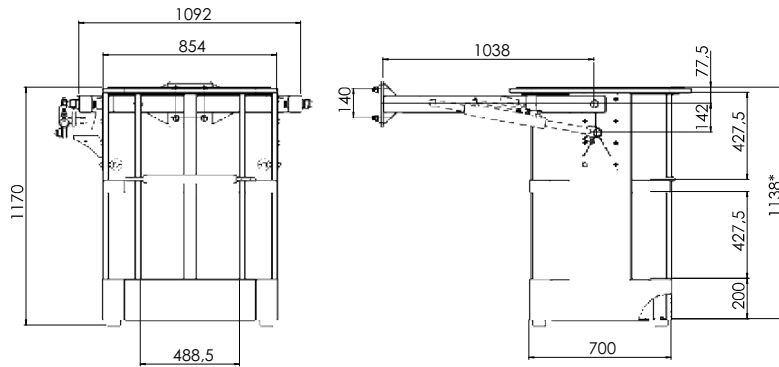
HYDROLIFT™

BORN TO LIFT



AGLY 1 AL ALLUMINIO ALUMINUM	700x850x1150 mm	56 Kg	120 Kg	1 Kv	1
---	-----------------	-------	--------	------	---

Necessario kit Fullmatic in conformità EN 280 - Kit Fullmatic needed for norm EN 280



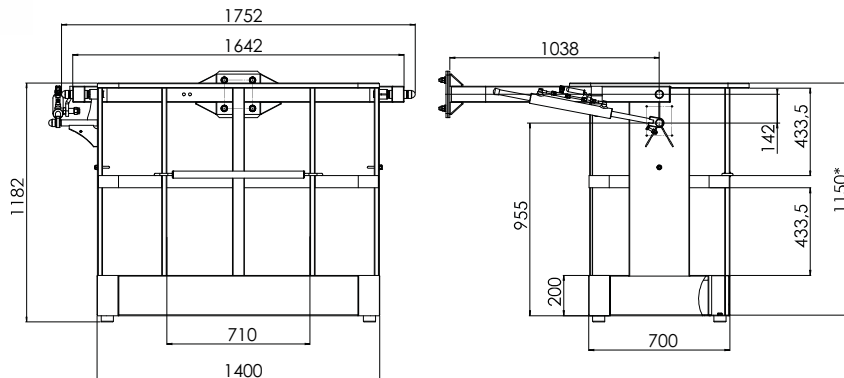
*Dal piano di calpestio
*Inside the basket



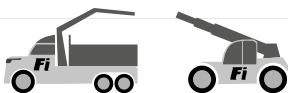
AGLY 2 ACCIAIO STEEL	700x1400x1150 mm	112 Kg	200 Kg	1 Kv	2
-----------------------------------	------------------	--------	--------	------	---





Necessario kit Fullmatic in conformità EN 280 - Kit Fullmatic needed for norm EN 280

*Dal piano di calpestio
*Inside the basket



CES 01:22



CESTELLI PORTA OPERATORE 
 PERSONNEL BASKETS 
 NACELLES PORTE-OPERATEUR 
 HUBARBEITSKÖRBE 

CESTAS OPERADOR 
 РАБОЧИЕ КОРЗИНЫ 
 SEPET VE PLATFORMLARI 
 سلات نقل كادر العمل 

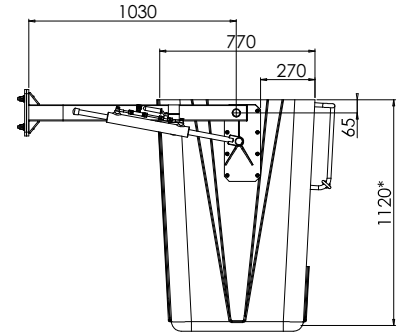
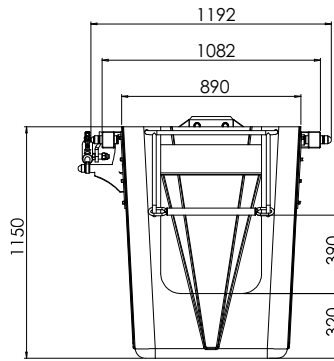


*Dal piano di calpestio
 *Inside the basket



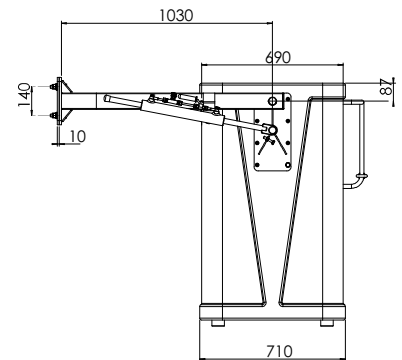
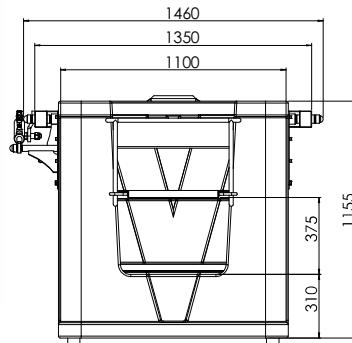
FAV 1 VETRORESINA FIBERGLASS	770x890x1150 mm	92 Kg	120 Kg	1 Kv	1
---	-----------------	-------	--------	------	---





Necessario kit Fullmatic in conformità EN 280 - Kit Fullmatic needed for norm EN 280







FAV 1080/2 VETRORESINA FIBERGLASS	710x1100x1150 mm	95 Kg	200 Kg	1 Kv	2
--	------------------	-------	--------	------	---

Necessario kit Fullmatic in conformità EN 280 - Kit Fullmatic needed for norm EN 280



 CESTELLI PORTA OPERATORE
 PERSONNEL BASKETS
 NACELLES PORTE-OPERATEUR
 HUBARBEITSKÖRBE

 CESTAS OPERADOR
 РАБОЧИЕ КОРЗИНЫ
 PERSONEL ÇALIŞMA SEPETİ
 سلات نقل كادر العمل

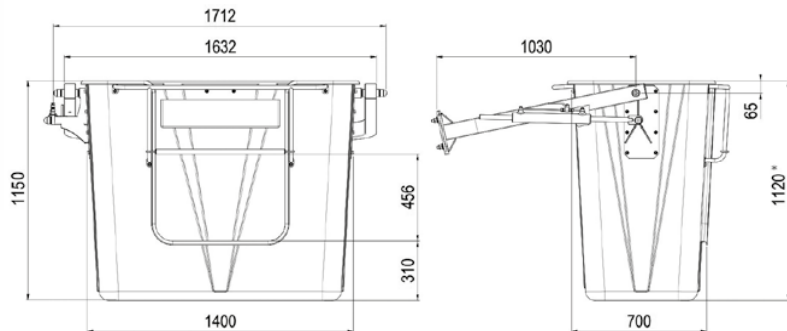


*Dal piano di calpestio
 *Inside the basket



FAV 2 VETRORESINA FIBERGLASS	700x1400x1150 mm	110 Kg	200 Kg	1 Kv	2
---	------------------	--------	--------	------	---

Necessario kit Fullmatic in conformità EN 280 - Kit Fullmatic needed for norm EN 280



FAV 1



FAV 1080/2



FAV 2

CES 01-22

